



# Phoenix Electronics Distribution Ltd.

Castlehill Industrial Estate  
 Carluke ML8 5UF  
 Tel 01555 751566 Fax 01555 751562



## Technical Data

### Material

Contact: Brass (Cu Zn)  
 (metal housing) Cu/Ni, tin plated  
 Terminal screw: Steel galvanized and chromated  
 Wire guard: Cu Sn 6  
 Surface Tin plated  
 of solder tail:  
 Insulator body: Polyester (Glass filled) (UL 94 V-0)

### Electrical

Current rating: 20 Amp / way max.  
 Resistance to tracking: KB 380

### Mechanical

Operating temperatures: -33°C to + 120°C  
 -22°F to + 248°F  
 Soldering temperature: +260°C, 5 seconds max  
 + 500°F, 5 seconds max.

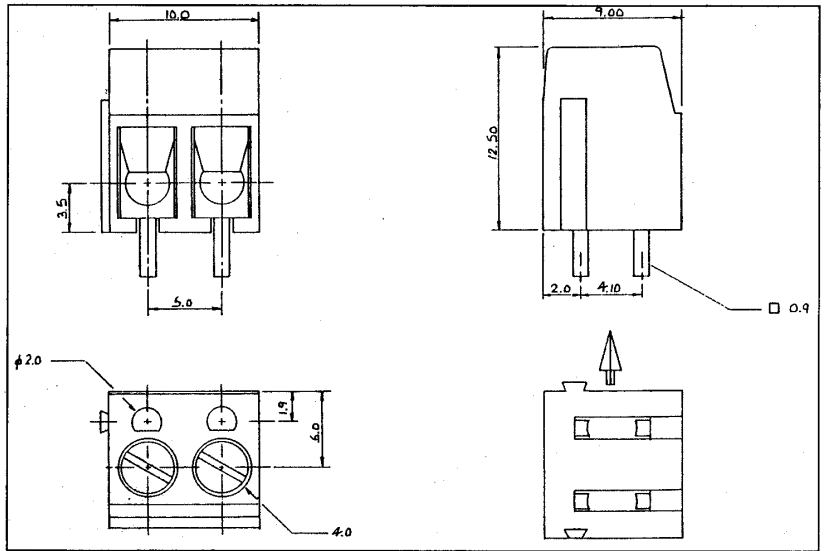
For further technical details see below 'How to order'

## Terminal Blocks for PC-Boards - Solder Type Front Wire inlet Type -Screw on Top - Double Pole

Spacing 5 mm / .197" or 10mm / .394"  
 Height over PC-Board 12.5mm / .492"

## Application and Features

- 2 solder tails per way
- Increased current capacity
- Robust design > 7 lbs - ins torque
- Standard sizes are 2-3 way blocks, but every number of contact can be confirmed by simply plugging them together and can be ordered as required \*\*
- Holes for test pin
- With wire guard for wire protection (Screw doesn't contact directly onto wire)



3 0 2 - x x x - x x x 0

Number of contacts		Pitch (Pin Spacing)		Wire Guard		Color		Marking	
Definition	Code	Definition	Code	Definition	Code	Definition	Code	Definition	Code
2 contacts (standard)	02	5 mm / .197"	1	No Wire Guard	0	Black	0	None	0
3 contacts (basic blocks)	03	10.0 mm / .394"	2	With Wire Guard	1	Blue	6	With (markings available are: 1 to 100 or A to Z or custom specified)	1
(2 and 3 blocks are the standard version with multiples thereof available)	etc.	etc				(other colours available upon request)			
Typical Mechanical and Electrical Specifications	Rated voltage (V-) VDE0110 group A group B	Rated cross section mm <sup>2</sup> /sq. inches	Rated clamp range mm <sup>2</sup> /sq. inches with wire guard without wire guard	Terminal screw					
For spacing 5 mm / .197"	380 250	2.5 / .098"	2.5 / .98" 4.0 / .157"	M3 x 5.8					
For spacing 10mm / .394"	750 500	2.5 / .098"	2.5 / .98" 4.0 / .157"	M3 x 5.8					