



# Phoenix Electronics Distribution Ltd.

Castlehill Industrial Estate  
Carl Luke ML8 5UF  
Tel 01555 751566 Fax 01555 751562



## Top Wire inlet Type - Screw in Front Spacing 5 mm / .197", 7.5mm/.295" or 10 mm / .394" Height over PC-Board 9.0 mm / .354"

### Technical Data

#### Material

Contact: Brass (Cu Zn)  
(metal housing) Cu/Ni, tin plated  
Terminal screw: Steel galvanized and chromated  
Wire guard: Cu Sn 6  
Surface: Tin plated  
of solder tail:  
Insulator body: Polyester  
(housing) (Glass filled)  
(UL 94 V-0)

#### Electrical

Current rating: 20 Amp / way max.  
Resistance to tracking: KB 380

#### Mechanical

Operating temperatures: -33°C to + 120°C  
-22°F to + 248°F  
Soldering temperature: +260°C,  
5 seconds max  
+ 500°F  
5 seconds max.

### Application and Features

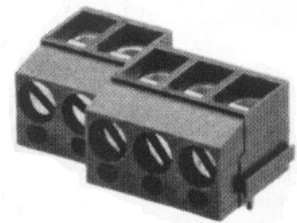
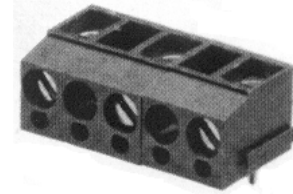
This is the most standard version which is an economic and reliable solution for Cable to PC-Board connection

Standard sizes are 2 and 3 way blocks, but every number of contact can be combined, by simply plugging them together and can be ordered as required\*\*  
Holes for test pins  
With wire guard for wire protection (for that the screw doesn't press directly on the wire)

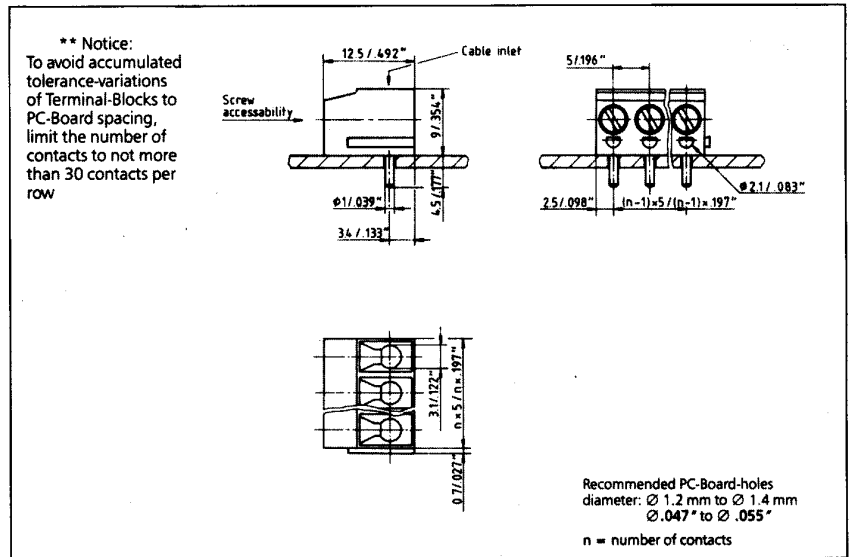
Approvals:

UL E 124838(S)

All dimensions in mm / inches



For further technical details see below 'How to order'



3 0 2 - x x x - x x x 0

Number of contacts		Pitch (Pin Spacing)		Wire Guard		Color		Marking	
Definition	Code	Definition	Code	Definition	Code	Definition	Code	Definition	Code
2 contacts (standard)	02	5 mm / .197"	1	No Wire Guard	0	Black	0	None	0
3 contacts (basic blocks)	03	10.0 mm / .394"	2	With Wire Guard	1	Blue	6	With	1
(2 and 3 blocks are the standard version with multiples thereof available)	etc.	etc				(other colours available upon request)		(markings available are: 1 to 100 or A to Z or custom specified)	
Typical Mechanical and Electrical Specifications	Rated voltage (V-) VDE0110 group A		Rated cross section mm <sup>2</sup> /sq. inches		Rated clamp range mm <sup>2</sup> /sq. inches with wire guard		Terminal screw		
For spacing 5 mm / .197"	380	250	2.5 / .098"	2.5 / .98"	4.0 / .157"	M3 x 5.8			
For spacing 10mm / .394"	750	500	2.5 / .098"	2.5 / .98"	4.0 / .157"	M3 x 5.8			