



Phoenix Electronics Distribution Ltd.

Castlehill Industrial Estate
 Carluke ML8 5UF
 Tel 01555 751566 Fax 01555 751562



Terminal Blocks for PC-Boards - Solder Type

45° Wire inlet Type - Screw at 45°

Spacing 5 mm / .197" or 10 mm / .394"
 Height over PC-Board 12.5 mm / .492"

Technical Data

Material

Contact: Brass (Cu Zn)
 (metal housing) Cu/Ni, tin plated
 Terminal screw: Steel galvanized and chromated
 Wire guard: Cu Sn 6
 Surface Tin plated
 of solder tail:
 Insulator body: Polyester
 (housing) (Glass filled)
 (UL 94 V-0)

Electrical

Current rating: 20 Amp / way max.
 Resistance to tracking: KB 380

Mechanical

Operating temperatures: -33°C to + 120°C
 -22°F to + 248°F
 Soldering temperature: +260°C,
 5 seconds max
 + 500°F
 5 seconds max.

Application and Features

This is the most standard version which is an economic and reliable solution for Cable to PC-Board connection

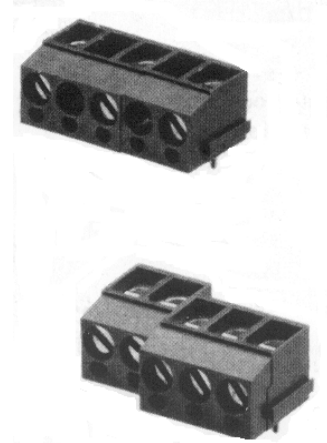
Standard sizes are 2 and 3 way blocks, but every number of contact can be combined, by simply plugging them together and can be ordered as required**

Since the wire inlet and the screw are in a 45° position, these terminal blocks are designed specifically to solve poor accessibility problems.

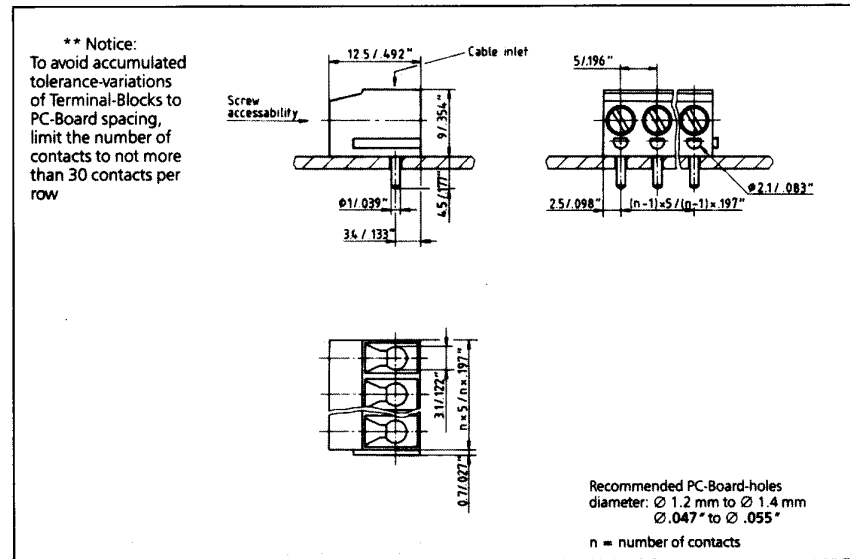
Approvals:

UL E 124838(S)

All dimensions in mm / inches



For further technical details see below 'How to order'



How to order

Please replace 'X' with appropriate coding listed in the tables below

3 2 0 - X X X - 1 X X 0

Number of contacts

Definition	Code	Definition	Code
2 contacts (standard)	02	5 mm / .197"	1
3 contacts (basic blocks)	03	10.0 mm / .394"	2
(2 and 3 blocks are the standard version with multiples thereof available)	etc.	etc.	

Pitch (Pin Spacing)

Color

Definition	Code
Black	0
Blue	6
(other colours available upon request)	

Marking

Definition	Code
None	0
With (markings available are: 1 to 100 or A to Z or custom specified)	1

Typical Mechanical and Electrical Specifications	Rated voltage (V-) VDE0110 group A	Rated voltage (V-) VDE0110 group B	Rated cross section mm ² /sq. inches	Rated clamp range mm ² /sq. inches with wire guard	Rated clamp range mm ² /sq. inches without wire guard	Terminal screw
For spacing 5 mm / .197"	125	60	1.5 / .059"	0.5-1.5 / .020"-.059"	0.5-1.5 / .020"-.059"	M 2.6 x 4.5
For spacing 10mm / .394"	380	250	1.5 / .059"	0.5-1.5 / .020"-.059"	0.5-1.5 / .020"-.059"	M 2.6 x 4.5