



# Phoenix Electronics Distribution Ltd.

Castlehill Industrial Estate  
Carl Luke ML8 5UF  
Tel 01555 751566 Fax 01555 751562



Terminal Blocks for PC-Boards - Pluggable with solder pins or strips

## Technical Data

### Material

Contact: Brass (Cu Zn)  
(metal housing) Cu/Ni, tin plated  
Terminal screw: Steel galvanized and chromated  
Wire guard: Cu Sn 6  
Surface: Tin plated  
of solder tail:  
Insulator body: Polyester (Glass filled) (UL 94 V-0)

### Electrical

Current rating: 20 Amp / way max.  
Resistance to tracking: KB 380

### Mechanical

Operating temperatures: -33°C to + 120°C  
-22°F to + 248°F  
Soldering temperature: +260°C,  
5 seconds max  
+ 500°F  
5 seconds max.

For further technical details see below 'How to order'

## Front or Top Wire inlet Type

Screw on Top or Front

Spacing 5mm / .197" or 10mm / .394"

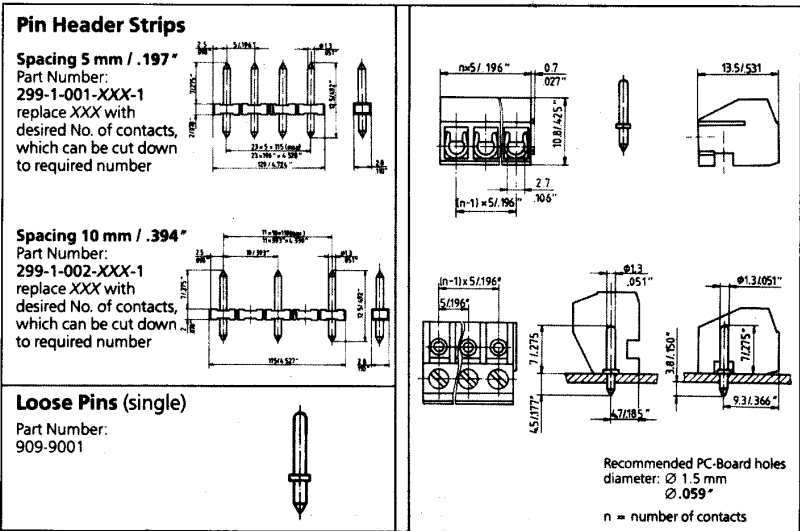
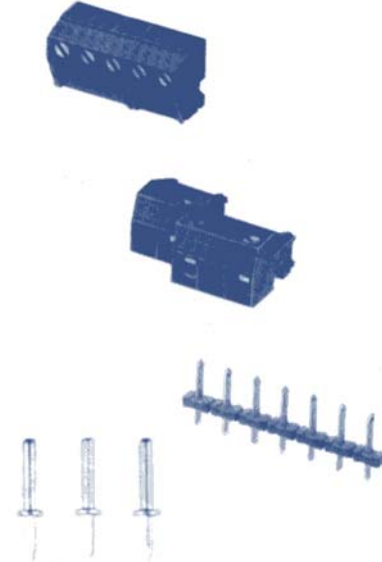
### Application and Features

This terminal block is designed to plug onto loose pins or pin header strips  
Standard sizes are 2 and 3 way blocks, but every number of contact can be combined, by simply plugging them together and can be ordered as required\*\*  
Now available moulded to size 2-24 way - add suffix MTS to part number  
With wire guard for wire protection so that the screw doesn't press directly on the wire  
Easy handling due to the pluggable system horizontally or vertically

### Approvals:

UL E 124838(S)

All dimensions in mm / inches



## How to order

Please replace 'X' with appropriate coding listed in the tables below

332 - [X][X][X] - 1[X][X]0 (MTS)

Number of contacts		Pitch (Pin Spacing)		Wire Guard		Color		Marking	
Definition	Code	Definition	Code	Definition	Code	Definition	Code	Definition	Code
2 contacts (standard)	02	5 mm / .197"	1	With Wire Guard	1	Black	0	None	0
3 contacts (basic blocks)	03	10.0 mm / .394"	2	(only)		Blue	6	With	1
(2 and 3 blocks are the standard version with multiples thereof available)	etc.	etc.		(not assembled with pin or strips)		(other colours available upon request)		(markings available are: 1 to 100 or A to Z or custom specified)	
Typical Mechanical and Electrical Specifications	Rated voltage (V~) VDE0110 group A	Rated voltage (V~) VDE0110 group B	Rated cross section mm <sup>2</sup> /sq. inches	Rated clamp range mm <sup>2</sup> /sq. inches with wire guard	Rated clamp range mm <sup>2</sup> /sq. inches without wire guard	Terminal screw			
For spacing 5 mm / .197"	250	125	1.5 / .059"	0.5-1.5 / .020"-.059"	0.5-1.5 / .020"-.059"	M 2.6 x 4.8			
For spacing 10mm/.394"	380	250	1.5 / .059"	0.5-1.5 / .020"-.059"	0.5-1.5 / .020"-.059"	M 2.6 x 4.8			