

Phoenix Connectors

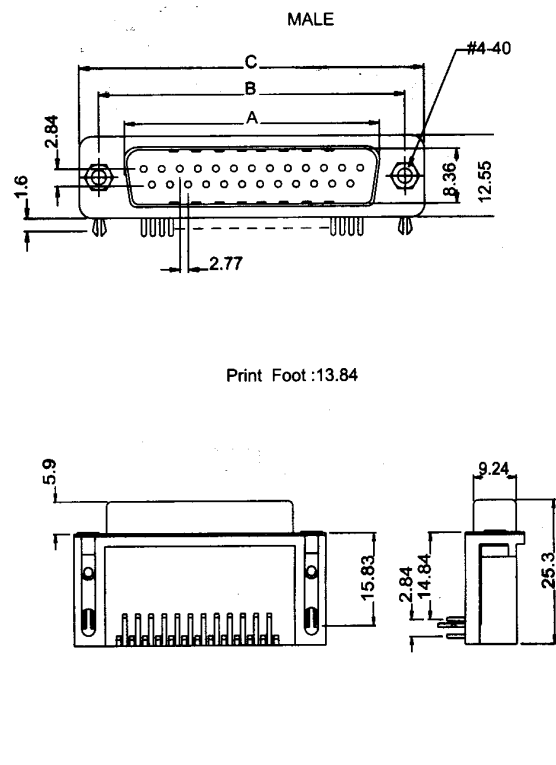
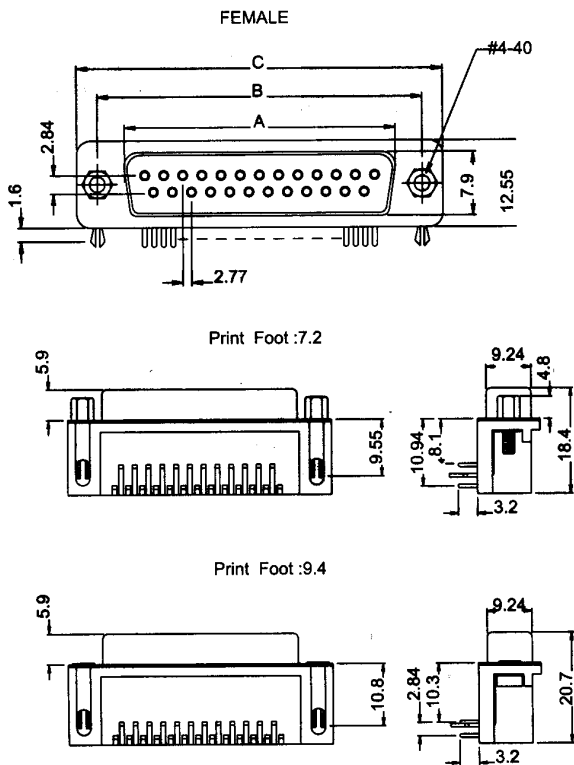
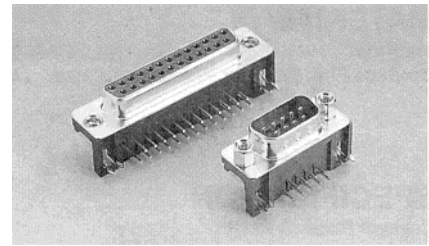
D-SUB RIGHT ANGLE 7.2,9.4,13.8mm

MATERIAL

Insulator: P.B.T. +30% Glass Fibre, UL 94V-0
 Contact Pin : F: Phosphor Bronze
 M: Brass

SPECIFICATION

Current Rate :5 AMP.
 Insulation Resistance: 1000MOhm Min.
 Contact Resistance : 30m Ohm Max.
 Dielectric voltage: 1000V AC for one minute.
 Operation Temperature : -55 C to +105C



FEMALE			
POSITION	A	B	C
9	16.33	24.99	30.81
25	38.38	47.04	53.04
37	54.84	63.5	69.32
15	24.66	33.32	39.14

MALE			
POSITION	A	B	C
9	16.92	24.99	30.81
15	25.50	33.32	39.14
25	38.96	47.04	53.04
37	55.42	63.5	69.32

ORDER INFORMATION

PECDRX XX S1A
 1 2 3

- 1.1: Footprint = 7.2
- 2: Foot print = 9.4
- 3: Foot print = 13.84
- 2. P Plug
- S Socket
- 3. No. of contacts (9, 15, 25, 37)

Phoenix Electronics Castlehill Industrial Estate Carluke ML8 5UF
 Telephone 01555 751566 Fax 01555 751562