

# Phoenix Connectors

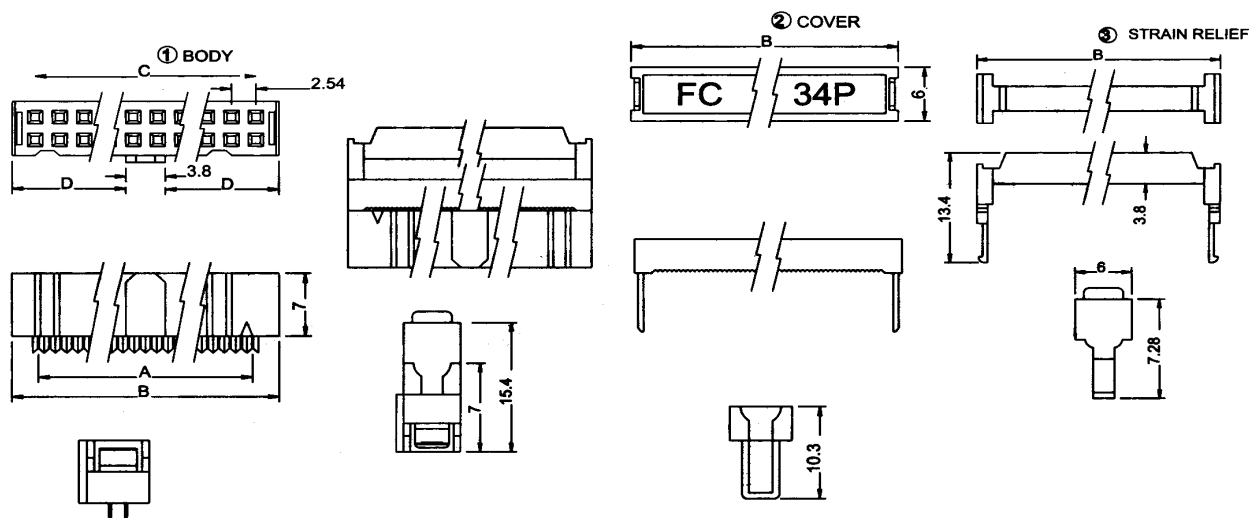
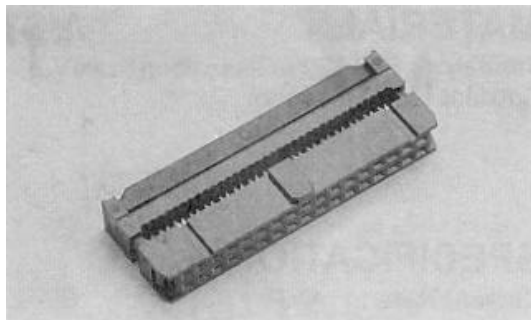
## IDC SOCKET 2.54mm FOR 1.27 FLAT CABLE

### MATERIAL

Insulator: P.B.T. +30% Glass Fibre, UL 94V-0  
Contact Pin : : Bronze

### SPECIFICATION

Current Rate :1 AMP.  
Insulation Resistance: 1000MOhm Min.  
Contact Resistance : 20m Ohm Max.  
Dielectric Voltage 1000V AC for one minute  
Operation Temperature : -40 C to +105C



No. of Pins	10	14	16	20	26	34	40	50	64
A	11.43	16.51	19.05	24.13	29.21	36.83	49.53	62.63	80.01
B	17.72	22.35	24.89	29.97	35.05	42.67	55.37	68.07	85.85
C	10.16	15.24	17.87	22.68	27.94	35.56	48.26	60.69	78.74
D	6.74	9.28	10.55	13.09	15.63	19.44	25.79	32.14	41.03

### ORDER INFORMATION

PEC-XXS BP SB  
1 2 3 4 5

- 1 : No. of Contacts  
(10,14,16,20,26,34,40,50,64)
- 2 : Selective Gold
- 3 : Black
- 4 : Polarising bump
- 5 : Strain Relief

Phoenix Electronics Castlehill Industrial Estate Carlisle ML8 5UF  
Telephone 01555 751566 Fax 01555 751562