



# Phoenix Electronics Distribution Ltd.

Castlehill Industrial Estate

Carlisle ML8 5UF

Tel 01555 751566 Fax 01555 751562



## The ODU MINISNAP line consists of the following Series:



### Series B

Keying with Pin and Groove



### Series S

Keying with Insulation Body



### Series F

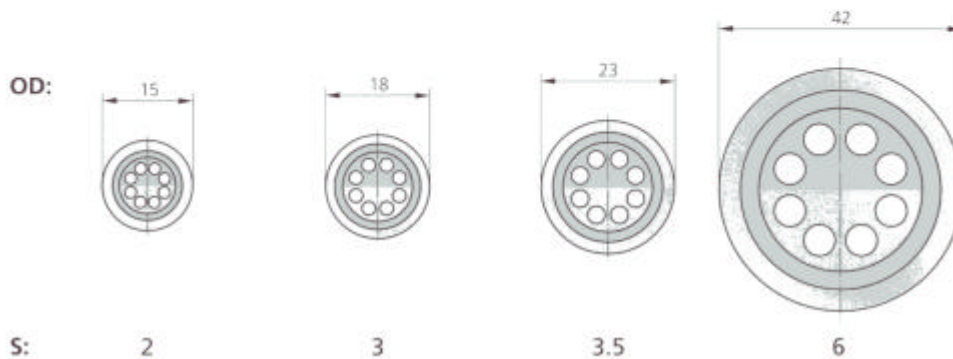
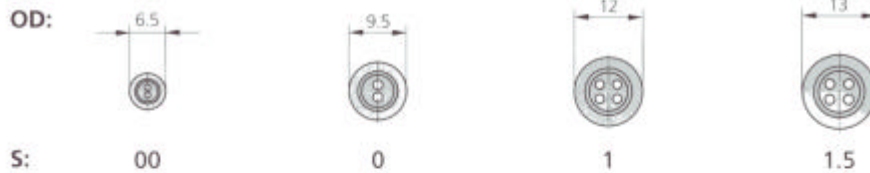
Keying with Half Shells

## Available Housing Sizes

(Scale 1 : 1)

**OD** = Outside Diameter (Plug)  
**S** = Size

Standard sizes: 00, 0, 1, 1.5, 2, 3



For Further information on all ODU products contact us by e-mail or Tel 01555 751566 Fax 01555 751562

