

Phoenix Connectors

PLCC SOCKET THROUGH HOLE

MATERIAL

Insulator: P.B.T. +30% Glass Fibre, UL 94V-0

Contact Pin : Brass

SPECIFICATION

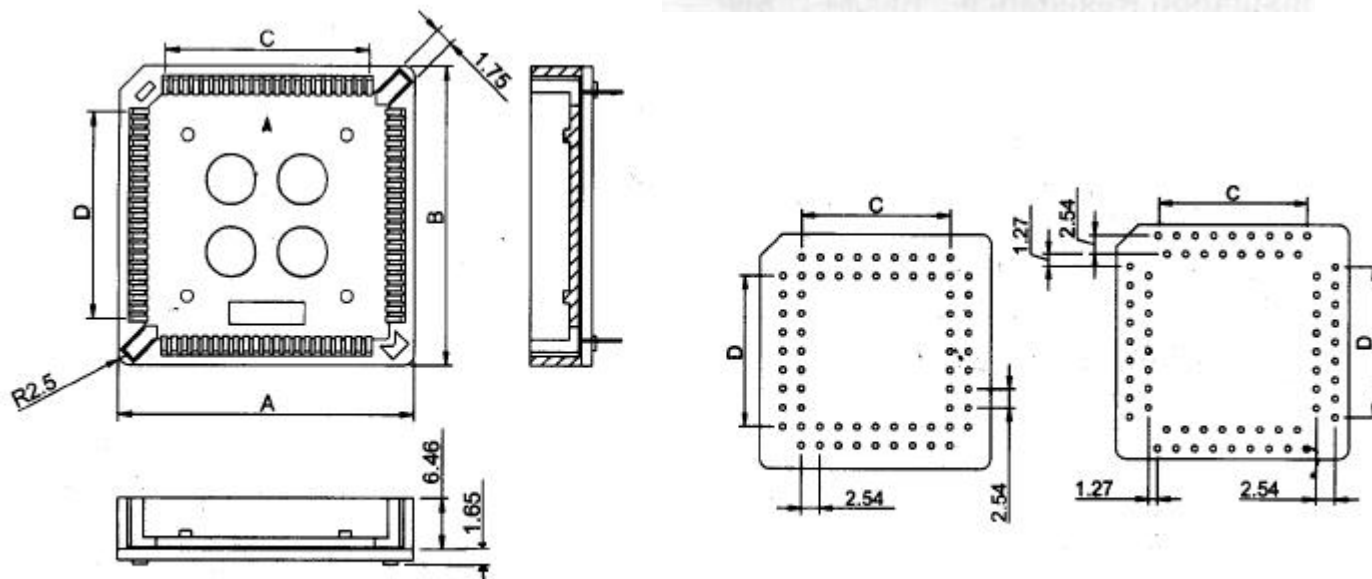
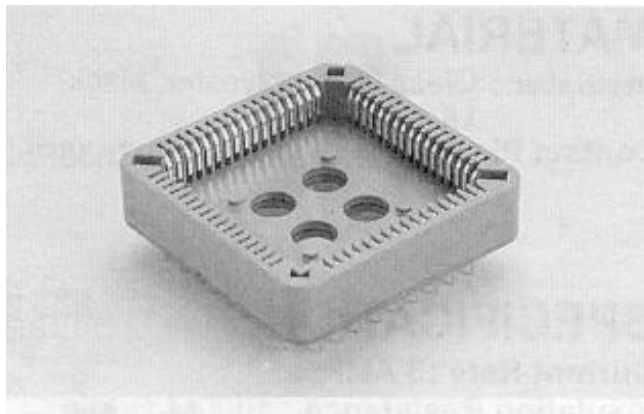
Current Rate :1 AMP.

Insulation Resistance: 1000MOhm Min. At 500V DC

Contact Resistance : 10m Ohm Max.

Dielectric Voltage 500V AC for one minute

Operation Temperature : -55 C to +105C



No. of Contacts	20	28	32	44	52	68	84
A	15.52	18.28	18.74	23.50	25.88	31.12	36.08
B	15.52	16.28	21.25	23.50	25.88	31.12	36.08
C	5.08	7.62	7.62	12.70	12.54	20.32	25.40
D	5.08	7.62	7.62	12.70	12.54	20.32	25.40

ORDER INFORMATION

- PEC PLCCT -XXT B 1.T: Through Hole
 1 2 3 4 2 Number of Contacts
 (20,28,32,44,52,68,84)
 3. T : Tin Plate
 4. B: Black

Phoenix Electronics Castlehill Industrial Estate Carlisle ML8 5UF
 Telephone 01555 751566 Fax 01555 751562